

Table of Contents

Contents	3	Machine Maintenance	17-20
		Adjusting the Carburetor	17
Specifications	4	Cleaning the Air Cleaner	17
		Servicing the Spark Plug	17
Introduction	5	Keeping the Engine Clean	18
		Deck Housing	18
Warranty	6	Nuts and Bolts	18
		Oil Maintenance	18
Safety Symbols	7	Cutting System Maintenance	19
		Sharpening the SS Blades	19
Safety Precautions	8	Flexiblade Cutting System	
Training	8	Replacement	20
Preparation	8-9	Mower Storage	20
Operation	9-10		
Maintenance & Storage	10-11	Troubleshooting	21
Machine Assembly	12	Mower Parts List	22
Before Starting the Machine	13-14	Mower Exploded Diagram	23
Prevent Engine Damage	13		
Oil Type	13	Notes	24-27
Oil Level Check	14		
Fuel Type	14	Customer Information	28
Operating the Machine	15-16		
Starting the Machine	15		
Cutting Flat Landscapes	15		
Cutting Slopes and Banks	15		
Stopping the Machine	16		
Cutting Height Adjustment	16		

Specifications

Main Features:

- (1) Handle Bar
- (2) OPC Bail Arm
- (3) Engine Brake Cable
- (4) Pull Starter
- (5) Engine Cover
- (6) Footstop Assy.
- (7) Deck



Model	F-19
Engine	Honda
Engine Type	GCV-160 OPC
Engine Speed	3300 rpm
Fuel Type	Unleaded
Fuel Capacity	0.24 gallons
Engine Oil Type	SAE 10W-30
Oil Sump Capacity	0.15 gallons
Cutting Width	19 inches
Dry Weight	39 pounds

Introduction

Thank you for purchasing the Air Force Hover Mower. The following pages are to give you information about maintenance, operation, safety and specifications instructions regarding your new mower. We strongly recommend reading the manual before your first use.

Important: Familiarize yourself with all controls, operations and regular maintenance points before your first use. If you require clarification, please consult your local Authorized Dealer who can assist you further.

The Air Force Hover Mower is designed for cutting grass and low-to-the-ground vegetation. Any other use is considered contrary to the intended use of the machine. Strict adherence and compliance with the conditions of operation, repair and service as stated in this manual are required. Precautions and safety tips found in this manual are standards that are generally recognized and must be observed at all times. Any modifications to this machine will relieve the manufacturer of liability for any resulting damage or injury.

Air Force Hover Mowers should only be operated, repaired or serviced by persons knowledgeable about the machines and familiar with their safety features. Correct operation and maintenance will ensure a long service of the machine.

All references to the left and right side of the machine are as viewed from behind the mower in the operator's position.

This manual is written based on information available at the time of publications. Air Force reserves the right to amend the product, specifications, and information within the manual without prior notification.

Warranty

LIMITED WARRANTY

The manufacturer warrants to the original purchaser that this unit shall be free from defect in material and workmanship under normal use and service for a period of **one year** from the date of purchase. The manufacturer of the engine furnishes their own warranty and services through their authorized network. The manufacturer is **not** included in said network.

To qualify for the full benefit of the Air Force warranty, the warranty registration card must be returned to the distributor. If your selling dealer does not offer this service, please fill out and return the enclosed warranty registration card. Subject to the conditions and exclusions noted in the Limited Warranty, we shall at our option, repair or replace any warranty part during the applicable period. If you are in doubt or experience any difficulty, please consult your Authorized Dealer for clarification.

A 90-day warranty period applies to those items which are subject to normal wear and tear: blade systems, cables, etc.

This warranty does not apply to any unit that has been tampered with, altered, misused, abused or used for hire, and will become invalid if non-genuine parts are fitted at any time. This warranty does not cover minor mechanical adjustments unless they are due to defective material or workmanship. Consult the Owner's Manual or your Authorized Dealer for assistance when making these adjustments.

To make a warranty claim, contact your Authorized Dealer with your proof of purchase, which states the machine serial number and date of purchase. The dealer will, at our option, repair or replace any warranty part within the duration of the warranty period. If your dealer does not provide services, please contact the distributor directly with your proof of purchase.

This limited warranty gives you specific legal rights and is in addition to any statutory rights to which you may be entitled; your statutory rights are not affected by this warranty.

US / CANADA ONLY: Information regarding Authorized Dealers can be obtained by contacting Seago International.

Web: www.seagousa.com
Phone: (800) 780-9889

Safety Symbols

Safety Alert: Be aware of potential hazards and danger



Manual: Read the instruction manual before using machine



Sharp Objects: Do not touch sharp objects while in motion



Moving Objects: Be aware of moving objects during use



Hot Objects/Surfaces: Hot surfaces and objects could cause injury



Electrical Injury: Disconnect spark plug when working or maintaining your machine.



Flammable Liquids: Use caution when using flammable liquids



Wear Protective Gear: Use protective gear at all times



Safety Precautions

Your machine is perfectly safe if used correctly. Failure to observe the following precautions may result in serious injury.

Training

Read the Owner's Manual and other informational material that came with your new mower. If the operator or mechanic cannot read English, it is the owner's responsibility to explain this material to them.

Become familiar with the safe operation of the mower, operator controls, and safety signs.

All operators and mechanics should be trained. The owner is responsible for training all users.

The owner/operator is responsible for and can prevent accidents or injuries occurring to themselves, others and property by adhering to the safety instructions in this manual.

Never let children or untrained people operate or service the mower. Local regulations may restrict the age of the operator.

Preparation

While using the machine, always wear substantial protective footwear and long pants. Do not operate the equipment when barefoot or wearing open-toe shoes.

Wear appropriate clothing including hard hat, safety glasses and hearing protection. Long hair, loose clothing or jewelry may get tangled in moving parts.

Evaluate the terrain to determine what accessories and attachments are needed to properly and safely perform the job. Only use accessories and attachments approved by Air Force.

Inspect the area where the equipment is to be used and remove all objects such as rocks, toys, and wire which can be thrown by the machine.

Safety Precautions

Use extra care when handling gasoline and other flammable fuels. Vapors are explosive.

- (a) Use only approved fuel containers
- (b) Never remove fuel cap or add fuel when the engine is operating
- (c) DO NOT SMOKE while operating the machine
- (d) Never refuel or drain the machine indoors
- (e) Always use fresh fuel. Stale fuel can block the carburetor and cause leaks.

Check that the Operator Presence Control (OPC) and safety switches are attached and functioning properly.

Keep all parts in good working condition and all hardware tightened.
Replace all worn or damaged decals.

Do not use near children or pets.

A damaged cutting device and/or impeller must be replaced. Before use, always visually inspect the cutting system to ensure that it is in good condition. Do not operate with an out-of-balance cutting system or impeller.

Operation

Do not operate the engine in an enclosed space where exhaust fumes (carbon monoxide) can collect. Refuel outdoors only and do not smoke while refueling.

Do not operate the machine under the influence of alcohol or drugs.

Always pull the starter cord slowly until resistance is felt. Then pull the cord rapidly to avoid kickback and prevent hand or arm injury. Ensure that feet are away from the cutting system.

Operate only in daylight or good artificial light, keeping away from holes and hidden hazards.

Avoid operating the machine in wet grass. Be sure of your footing while using this product, especially when backing up. Reduced footing could cause slipping.

Walk, never run when operating the Air Force Hover Mower.

Safety Precautions

Operate across the face of slopes, never up and down. Slow down and use extra care when making turns or changing direction on slopes. Be sure to travel in the recommended direction on slopes. Turf conditions can affect the machine's stability. Use caution while operating near drop-offs.

Never raise the deck with the blades in motion. Stop the engine before moving the machine across areas other than grass.

Never operate without the safety guards in place.

Do not change the engine governor settings or over speed the engine.

Never touch the exhaust/exhaust guard or cooling fins with the engine is hot.

Stop engine and disconnect the park plug lead:

- (1) Before clearing blockages
- (2) Before cleaning, checking or working on the machine
- (3) After striking a foreign object. Inspect the machine for damage and ensure necessary repairs are made before re-starting
- (4) If the machine starts to vibrate abnormally (check immediately).
An out of balance cutting device causes severe vibration.

Stop engine:

- (1) Whenever you leave the machine
- (2) Before refueling

Keep hands and feet away from the cutting system.

Maintenance & Storage

Disengage the drive, stop the engine and disconnect the spark plug. Wait for all movement to stop before adjusting, cleaning or repairing. Keep hands and feet away from moving parts.

Clean the cutting system, drive, muffler and engine of any grass or debris to prevent fires. Clean up any fuel/oil spills.

Never store machine with gasoline in the tank within an enclosed area where fumes may reach an open flame or spark.

Safety Precautions

Park the machine on level ground. Never allow untrained persons to service the machine.

Remove the spark plug before attempting any repairs. Never check for a spark when the spark plug is removed. Use an approved tester.

Keep all parts in good working condition and all hardware tightened. Replace all worn or damaged decals. Always replace worn or faulty parts with genuine Air Force Hover Mower parts.

Allow the engine to cool before storing in any enclosures. To reduce the risk of fire hazard, keep the engine and the surrounding deck area free of grass, leaves, and excessive grease.

Shut off fuel while storing or transporting. Do not store fuel near flames or drain indoors.

If the fuel tank has to be drained, this should be done outdoors and when the engine is cool.

Wear strong work gloves when removing and reassembling the cutting device.

Never replace the cutting mechanisms with metal parts and only use cutting mechanisms which are suitable for use at the operating speed of the machine.

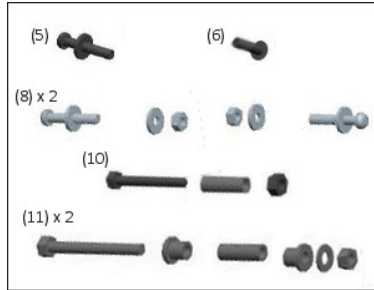
Never start the engine with the air filter or the air filter cover removed.

Machine Assembly

Arrival Checklist

Remove the machine from its packaging and make sure you've received all of the following parts to ensure your mower is correctly assembled:

- (5) Throttle Securing Bolt
- (6) Brake Securing Bolt
- (8) Handle Securing Kit
- (10) Footstop Securing Kit
- (11) Deck/Handle Kit
- (**) Cable Ties (not shown)



[If any pieces are missing, contact your dealer.]

Assembling the Machine

Step One: Lower Handlebar Assembly

To fit the lower handle to both sides, align the holes (footstop assembly on the right side) and insert the sleeves, bushes, bolts, washers and nuts as shown. (Uses Kit # 11 – Deck Handle Kit)

Step Two: Upper Handle Assembly

To fit the upper handle on both sides, align the holes and fit the bolts, washers, and nuts. (Uses Kit #8 – Handle Securing Kit)

Step Three: Throttle & OPC Cable Assembly

Attach the throttle assembly to the outside right handle bar using the #5 Throttle Securing Bolt & washer. (Secure the cable to the upper and lower handle using the provided ties.) Attach the OPC Cable in the front of the right handle using the #6 Brake Securing Bolt through the back of the handle.

Step Four: Footstop Assembly

To fit the footstop to the lower handle, align holes to the outside right lower handle and fit the sleeve, bolt and nut. (Uses Kit #10 – Footstop Securing Kit).

Before Starting the Machine

Prevent Engine Damage

To prevent damage to the engine, the machine is shipped without any fluids. The engine must be filled with the correct grade of oil and fuel before starting the engine.

Oil Type

When operating the Air Force Hover Mower, always use a high-quality synthetic oil. Suggested classification is 10W-30. Additives are not recommended. To prolong the life of your engine, change the oil after the initial first five hours of use.

Oil Level Check

When checking the oil, keep the mower on a level surface. Remove the oil cap, and wipe the dipstick with a clean cloth. Reinsert the dipstick without screwing the cap back on, and remove it to check the oil level.

Correct oil level is when the brim of the liquid is at the **FULL** mark on the dipstick. Do not overfill the engine with oil.

Fuel Type

Always use clean, unleaded fuel. Purchase fuel in a 30-day quantity to keep fresh fuel on hand.

Fill to the base of the neck to allow for fuel expansion. Do not overfill the fuel tank.

Operating the Machine

Ensure that the Operator Presence Control (OPC) Bail Arm moves freely and returns to its resting position when released.

Starting the Machine

Step One:

Push the throttle control lever into the choke position. Turn the petcock to the “on” position and open the tank vent (if fitted).

Step Two:

Release the handlebar from the footstop. Hold the OPC Bail Arm to the upper handle, place your foot on the right side of the deck and slightly tilt the machine toward you. This position ensures the fuel is beginning to circulate and makes cranking the engine easy.

Pull the recoil starter rope lightly until you feel resistance, then pull briskly. Return the starter grip gently.

Note: The OPC Bail Arm must be held firmly against the handlebar to start and keep the engine running. If it is released, the engine and blade system will stop.

Step Three:

Once started, move the throttle lever to the “run” position and allow the engine to warm up.

To prevent damage, never pull the engine start grip while the engine is running.

Cutting Flat Landscapes

Begin at the edge of the lawn and mow in a straight line back and forth as you would with a regular walk behind machine.

Cutting Slopes and Banks

Begin at the top and swing the machine from side to side while carefully and slowly moving down the slope. Keep the machine moving to reduce strain on the engine.

Caution: Never stand below or beside the machine while mowing an embankment. Always stand higher on the slope than the machine.

Operating the Machine

Stopping the Machine

Release the OPC Bail Arm to stop the machine. If the engine fails to stop, pull the spark plug lead loose from the engine.

Cutting Height Adjustment

Your machine is shipped with the cutting disc in the highest position. Follow these steps to adjust to the desired height of cut:

- (1) Turn the petcock to the “off” position.
- (2) Disconnect the spark plug.
- (3) Tilt the machine onto its left side, keeping the carburetor up.
- (4) Wearing protective hand gear, remove the Disc Securing Bolt with holding the cutting system.
- (5) Remove the three spacers and the cutting system.
- (6) Reposition the spacers and cutting system for desired height of cut.
- (7) Fit the Disc Securing Bolt back to the machine.

Note: Large spacer must be positioned directly below the impeller at all times.

Prevent An Accident

Inspect the cutting area before using the mower. Any objects other than grass and leaves should be removed to prevent them from becoming projectiles.

Inspect for hidden obstructions, which would cause health and safety risks when coming in contact with the cutting system. Make note of the obstructions and mow around them.

Machine Maintenance

To prevent accidents, disconnect the spark plug whenever you are performing any maintenance procedures on the machine.

Engine:

- (1) Spark Plug / Lead
- (2) Exhaust Guard
- (3) Exhaust
- (4) Oil Filter / Dipstick
- (5) Starter Grip
- (6) Fuel Cap
- (7) Finger Guard
- (8) Air Cleaner
- (9) Carburetor

Adjusting the Carburetor

Adjustments should only be made by a Honda Certified Dealer. The engine should not be adjusted to run at a speed in excess of standards set by Honda. Doing so voids any warranty on the machine immediately.

Cleaning the Air Cleaner

Remove the air cleaner cover (1) by releasing the top catches (2) and tilting away from the engine body until it's released. Remove the air cleaner (3) and tap it gently on a flat surface. If it's too dirty or damaged, replace.

Do not brush or use fuel / oil to clean the air cleaner.

After cleaning the air cleaner, return it back to the case and insert the cover on the bottom side, pushing the cover towards the engine body until the catches hold in place.

Servicing the Spark Plug

Use only an approved spark plug tester. Replace the spark plug every 100 hours or every season (whichever occurs first). A spark plug wrench is available from your Honda Certified Dealer.

Check the spark plug gap with a feeler gauge and set at 0.028 – 0.031”.

Machine Maintenance

Keeping the Engine Clean

Remove all debris and grass from the engine, including the exhaust and exhaust guard, air ways in the top cowl, and surrounding deck areas on a daily basis or after each use. Do not pressure-wash the machine during cleaning. Water can contaminate the fuel. Always clean with a brush or compressed air.

Grass and debris may clog the engine's air cooling system especially after prolonged operation or cutting tall, dry grass. The internal cooling fans and surfaces may require cleaning to prevent the engine from overheating. We recommend that this be carried out by a Honda Authorized Dealer.

Deck Housing

Remove debris and grass from both sides of the deck immediately after each use.

Nuts and Bolts

Check all securing nuts and bolts regularly to ensure they remain tight. Replace missing or damaged items immediately.

Oil Maintenance

Before each use, check the oil level and ensure that a correct oil level is maintained. Refer to the "Before Starting the Machine" section for instructions.

Change the oil after the initial first five hours of use. Follow the maintenance schedule thereafter.

- (1) Run the engine until the fuel tank is empty.
- (2) Remove the spark plug lead.
- (3) Allow the engine to cool.
- (4) Drain the oil while the engine is warm (not hot).
- (5) Tip the machine over on to its left side (keeping the carburetor side up).
- (6) Drain the oil into a suitable container.
- (7) Refill with a high-grade 10W-30 synthetic oil.

Machine Maintenance

Maintaining the Cutting System

The condition of the cutting system and supporting mounting system should be checked regularly for signs of wear or damage. A damaged cutting system will become out of balance and cause the machine to vibrate excessively.

The cutting

system could damage the deck, impeller and other pieces under the deck and lead to damage to engine or operator.

***DO NOT** use a damaged / unbalanced cutting system. Replace the cutting system every two years or as wear and damage demand.*

Regularly ensure the Disc Securing Bolt is tightened.

Prevent An Accident

Never work on the mower unless the spark plug lead has been removed.

***ALWAYS** wear strong gloves to protect your hands. **ALWAYS** use genuine parts.*

To replace the cutting system:

- (1) Drain the fuel by running the engine dry (engine will stop).
- (2) Remove the spark plug lead and allow the engine to cool.
- (3) Turn the machine on its left-hand side (carburetor up).

If you only need to replace the blades or the blade securing kit, you would not need to remove the cutting disc from the machine. If you need to replace the entire cutting disc or the spacers, the disc will need to be removed by first removing the Blade Retaining Bolt.

Sharpening the Stainless Steel Blades

Our stainless steel blades are reversible and can be sharpened. You simply need to sharpen the sides when they wear down. For best results, use both sides until they need to be sharpened, and then sharpen both sides at the same time.

Blades should be sharpened every 25 hours or as needed. Sharpen with a flat file for best results.

Prevent An Accident

Remove the cutting blades from the cutting system before sharpening. Use strong gloves while handling the blades.

Machine Maintenance

Flexiblade Cutting System Replacement

- (1) Drain the fuel by running the engine dry (engine will stop).
- (2) Remove the spark plug lead and allow the engine to cool.
- (3) Turn the machine on its left-hand side (carburetor up).
- (4) Replace the old line with 10 inches of new line.

Mower Storage

To prevent engine damage, engines must be drained of fuel when being stored in excess of 30 days. Removing the fuel prevents gum from forming in the fuel system and essential carburetor parts. By following our storage procedure and referring to the engine manual as needed, your machine will remain in good working order.

- (1) Drain the fuel by running the engine dry (engine will stop).
- (2) Disconnect the spark plug lead.
- (3) Change the engine oil.
- (4) Remove the engine spark plug, pour 0.5fl oz of engine oil into the machine cylinder, and replace the spark plug. Avoid engine damage by **not** exceeding the volume of oil. **Do not replace the spark plug lead.**
- (5) Slowly pull the recoil starter rope, turning the crankcase, to distribute oil and prevent engine corrosion.
- (6) Clean all debris and grass from the engine cylinder, cooling fans, under top cowl, and around and behind the exhaust / exhaust guard.
- (7) Lubricate the machine.
- (8) Treat metal parts with a water-repellant anti-corrosion product.
- (9) Cover the machine with a protective sheet and store it in a dry, ventilated area.

Maintenance Schedule

Service Schedule	Maintenance
Before Each Use	<ol style="list-style-type: none"> (1) Check the fuel and oil levels (2) Check blade system and tighten any loose bolts (3) Check air filter – ensure it is dry (4) Remove debris from the cutting system, impeller, and air intake area of engine
After the First 5 Hours	<ol style="list-style-type: none"> (1) Change the engine oil (first machine oil change)
Every 5 Hours	<ol style="list-style-type: none"> (1) Tighten/replace any loose/damaged bolts, blades or cutting disc
Every 25 Hours	<ol style="list-style-type: none"> (1) Check and clean the air filter area.
Every 50 Hours	<ol style="list-style-type: none"> (1) Change the engine oil (2) Clean/replace air filter (3) Sharpen/replace blades (4) Clean/replace fuel filter (5) Check for any leaks or deteriorations in the fuel system and hoses
Every 100 Hours	<ol style="list-style-type: none"> (1) Inspect the spark plug (2) Clean/replace air cleaner (3) Clean the cooling system (fins/starter area)
Every 150 Hours	<ol style="list-style-type: none"> (1) Replace air filter (2) Replace spark plug
Storage Over 30 Days and Winterized Storage	<ol style="list-style-type: none"> (1) Empty fuel and oil (2) Turn off fuel valve (3) Disconnect the spark plug (4) Add 15ml of fresh oil to the cylinder and pull starter once to distribute oil (5) Treat metal parts with water-repellant, anti-corrosion product. (6) Store in dry, ventilated area

This is a suggested maintenance schedule. Depending on terrain, the schedule may need to be adjusted for dusty/rough conditions.

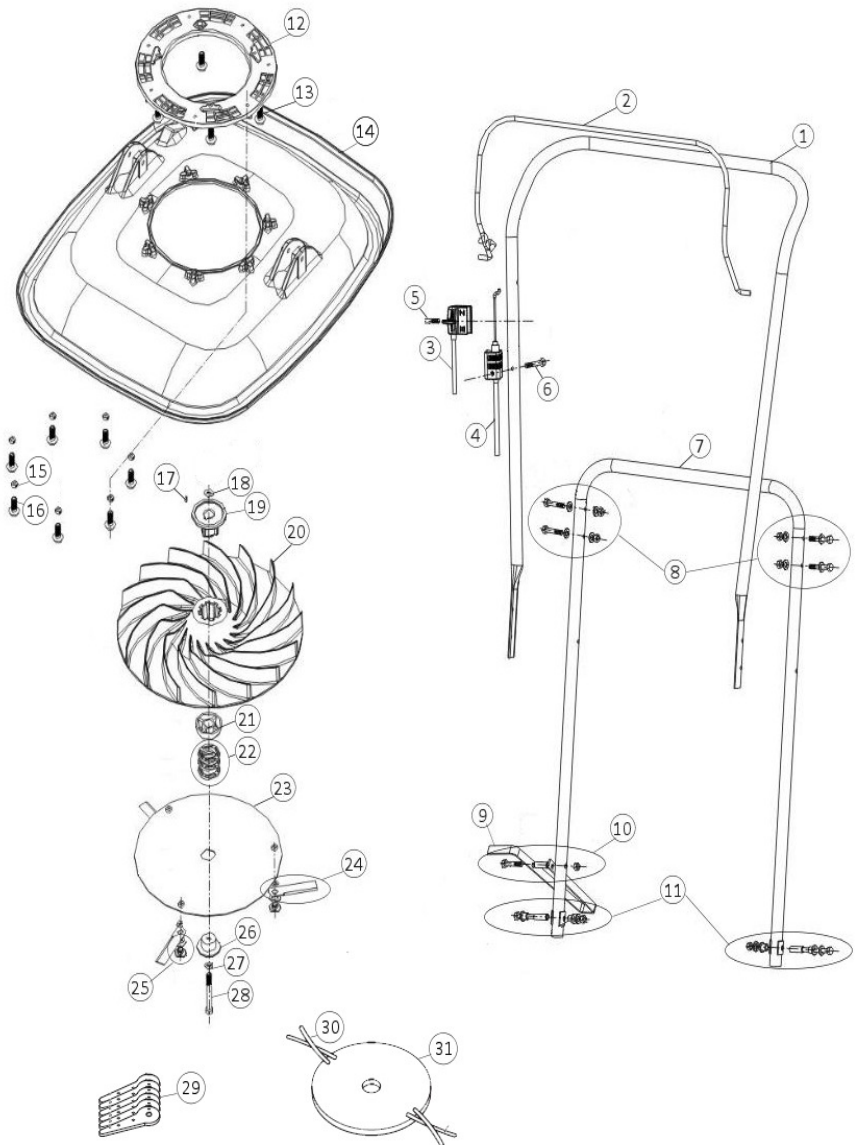
Troubleshooting

Problem	Causes	Corrective Action
Engine will not turn over	(1) OPC Bail Arm released (2) Incorrect oil level (3) Obstruction under deck	(1) Operate OPC Bail Arm (2) Check oil level (3) Remove obstruction
Engine smokes	(1) Excess oil (2) Air cleaner oil-soaked or blocked	(1) Check oil level (2) Service air cleaner
Engine runs then stops	(1) Fuel starvation (2) Fuel cap vent blocked (3) Petcock closed	(1) Fill fuel tank (2) Clean fuel cap assy (3) Open petcock
Engine will not start	(1) Engine under load (2) Incorrect/contaminated fuel (3) Spark plug lead disconnected (4) OPC Bail Arm not released (5) Faulty spark plug (6) Faulty wiring	(1) Raise height of cut (2) Drain tank and fill with correct / clean fuel (3) Connect spark plug lead (4) Operate OPC Bail Arm (5) Clean/adjust/replace plug (6) Check wiring
Engine runs rough	(1) Spark plug lead becoming disconnected during use (2) Faulty spark plug (3) Air cleaner blocked (4) Incorrect/contaminated fuel	(1) Connect spark plug lead (2) Clean/adjust/replace plug (3) Service air cleaner (4) Drain tank and fill with correct fuel
Engine vibrate excessively	(1) Disc Securing Bolt loose (2) Blade Retaining Bolts lose (3) Cutting system out of balance (4) Bent crankshaft	(1) Tighten/replace bolt (2) Tighten/replace bolts (3) Balance/replace cutting system (4) Contact your Honda Certified Dealer
Uneven cut	(1) Cutting system out of balance	(1) Balance/replace cutting system
Poor hovering	(1) Engine running slow (2) Impeller air vents blocked (3) Underdeck not clean (4) Cutting system loose	(1) Contact your Honda Certified Dealer (2) Check and unblock (3) Clean (4) Tighten cutting system or replace Disc Securing Bolt.

Mower Parts List

Key	Part No.	Description	Qty.	Notes
1	AF1200	Upper Handle	1	
2	AF1201	OPC Bail Arm	1	
3	AF1202	Throttle Cable	1	
4	AF1203	Brake Cable	1	
5	AF1204	Throttle Securing Bolt	1	
6	AF1205	Brake Securing Bolt	1	
7	AF1206	Lower Handle	1	
8	AF1207	Handle Securing Kit	2	2 sets / kit
9	AF1208	Footstop	1	
10	AF1209	Footstop Securing Kit	1	
11	AF1210	Deck/Handle Kit (2 sets/kit)	1	
12	AF1211	Engine Frame	1	
13	AF1212	Engine Securing Kit	1	
14	AF1213	Deck	1	
15	AF1214	Deck/Frame Nut Kit	1	Set of 7
16	AF1215	Deck/Frame Bolt Kit	1	Set of 7
17	AF1216	Woodruff Key	1	
18	AF1217	Hub Spacer	1	
19	AF1218	Drive Hub	1	
20	AF1219	Impeller	1	
21	AF1220	Large Spacer	1	
22	AF1221	Shaft Spacer Kit	1	Set of 3
23	AF1222	Blade System Disc	1	
24	SE02214	SS Blade Kit	1	
25	SE18370	Blade Securing Bolt	1	
26	AF1225	Blade Retaining Spigot	1	
27	AF1226	Washer	1	
28	AF1227	Disc Securing Bolt	1	
29	SE00603	QC Blade Kit	1	Set of 6
29	SE01206	QC Blade Kit	1	Set of 60
30	SE02214	Flexiblade	1	Roll of 85'
31	AF1223	String System Disc	1	Not Shown
*	AF1224	Cable Ties	2	Not Shown
*	GCV-160 OPC	Engine	1	Not Shown
*	AF1228	Air Force Decal	1	Not Shown
*	AF1229	Fuel Warning Decal	1	Not Shown
*	AF1230	Safety Decal	1	Not Shown
*	AF1231	Caution Decal	1	Not Shown
*	AF1232	QC Kit Complete	1	Not Shown
*	AF1233	SS Kit Complete	1	Not Shown

Exploded Diagram



Notes

Notes

Notes

Machine Code:
Serial Number:

AIRFORCE HOVER MOWER

WARRANTY REGISTRATION

**THIS CARD MUST BE COMPLETED AND
RETURNED TO REGISTER YOUR MACHINE**

Course/Business Name:

Address:

Phone:

Contact Person:

Purchase Date:

Price Paid:

Email:

Dealer Name:

Dealer Location:

Sales Representative:

DATA PROTECTION:

By submitting this form to Seago International, you are authorizing Seago to hold your information for future warranty and future sales/marketing promotional. The information on this card will be held and used by Seago International, Inc. only. No information on this card will be sold or distributed to a third-party for any reason.